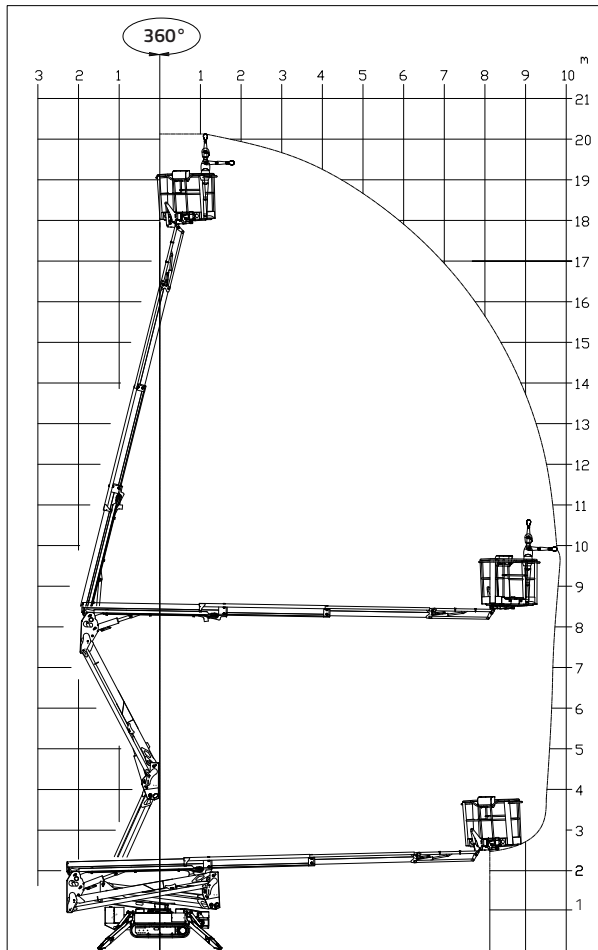
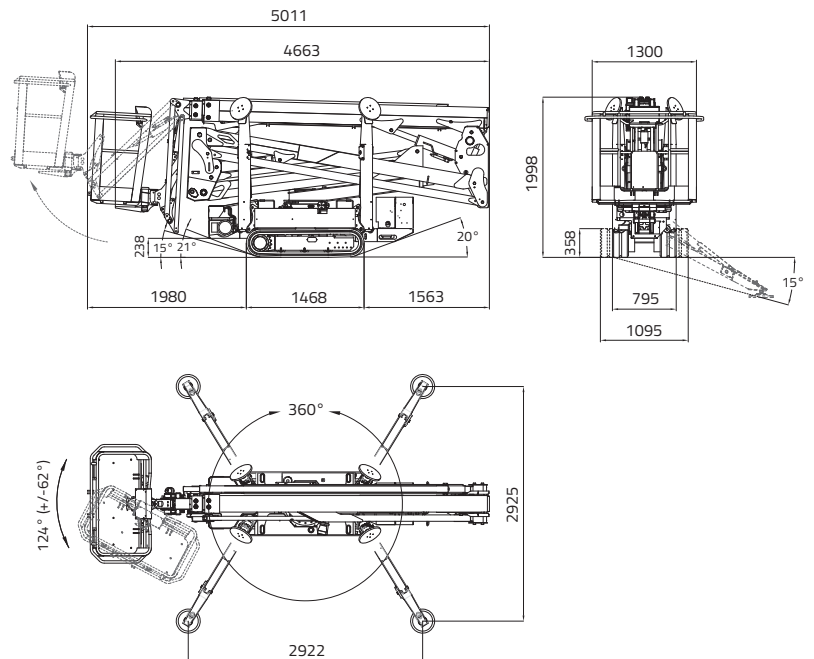


LL20.10 MK2



CAPACITY 230 KG
(2 persons 80x2=160 kg + tool box 70 kg)




 20,15 m

 9,70 m

 5,01 m


 4,39 m


 1,99 m


 1.335 x 690 x h. 1.100 mm


 124° (+/-62°)


 16° / 28,7%

 795 - 1095 mm

 2150 daN - 3,04 daN/cm²


 2922 x 2925 mm

 Automatic set up system IIIS std.

 Remote control

 GPRS-GPS

 R.A.H.M.

 Lithium-ion battery pack
7,2 kWh
Optional

 LL20.10 *MK2*



PETROL ENGINE

Brand.....HONDA
 TypeGX390
 Pistons no. and displacement.....
 single-cylinder 389 cm³
 Max gross power
 11,7HP - 8,7 kW @ 3600 rpm (GX390)
 Electrical start..... 12 volt

DIESEL ENGINE

Brand.....KUBOTA
 TypeZ602
 Pistons no. and displacement.....
double-cylinder 599 cm³
 Max gross power
 14,5 HP - 10,8kW @ 3600 rpm
 Electrical start..... 12 volt

LITHIUM-ION SYSTEM

Lithium-ion powered 7,2 kWh
 Onboard battery charger.....
220V 50Hz or 110V 50Hz
 Autonomy..... 4-5 h
 Recharge time on flat batteries
4 h (indicative)
 Recharge time to 80% on flat batteries.
 2 h (indicative)

HYDRAULIC PUMPS

Electric motor no. 2 gear pumps

TRACKED UNDERCARRIAGE

Track tensioner grease-filled
 Rollers no. per side 3 + slide

Translation speed with 3rd auto2speed:

- petrol engine 0,4 - 1 - 1,95 km/h
 - diesel engine 0,5 - 1,3 - 2,5 km/h
 - lithium system..... 0,83 - 1,6 km/h

WEIGHT MACHINE petrol engine.....2840 kg

WEIGHT MACHINE diesel engine.....2940 kg

WEIGHT MACHINE lithium system2950 kg

MAX WIND SPEED..... 12,5 m/s